

October 12, 2011

800 NE Oregon Street, Ste 640  
Portland, Oregon 97232  
Voice (971) 673-0405  
FAX (971) 673-0694  
TTY (971) 673-0372

Tamio Fukuyama, P.E.  
Group Mackenzie  
1515 SE Water Ave #100  
Portland, OR 97214

<http://public.health.oregon.gov/PHD/OEPH/DWP/Pages/index.aspx>

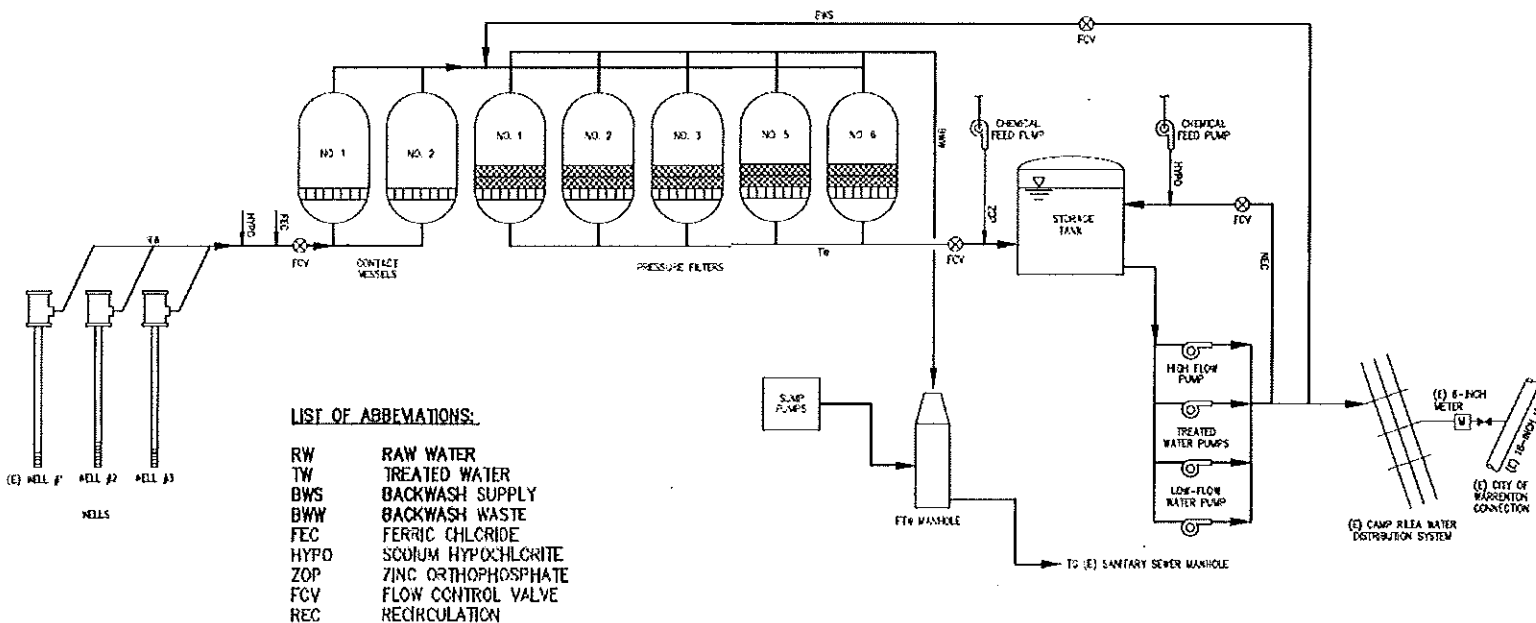
**Re: Camp Rilea (95443) New Wells #1, #2, & #3, Treatment & Reservoir  
Group Mackenzie Project #2100230.02  
Final Approval PR# 186-2010**

Dear Mr. Fukuyama:

With the receipt of record drawings on September 28, 2011, final test results demonstrating adequate disinfection of facilities and arsenic removal efficiency and completion of the site inspection on June 8, 2011, **the new water system at Camp Rilea (assigned public water system ID# 95443) is granted Final Approval.** The project (assigned Plan Review #186-2010) called for the installation of:

- 1) Three wells numbered #1 (L74170), #2 (L100764), and #3 (L100765), of which only #2 and #3 were connected for use;
- 2) A pressure-type, iron, manganese, and arsenic removal filtration system consisting of six 150-psig, 265-gallon pressure filters for a combined capacity of 250-gpm (5.9 gpm/sf) containing pyrolusite (manganese dioxide) media (AS-721) with gravel support beds;
- 3) Post-filtration zinc orthophosphate injection system;
- 4) Post-filtration sodium hypochlorite injection system for injection into the fire suppression recirculation line influent to the finished water reservoir;
- 5) One 422,700 gallon Fusion Model 5630SR bolted glass fused-to-steel finished water tank conforming to AWWA D-103 with cathodic protection used for distribution storage; and
- 6) Related yard piping and appurtenances.

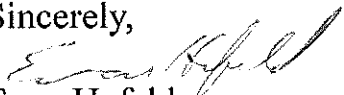
The system is configured as shown in the record drawing on the following page.



The system has been set up in our database and information entered can be viewed on-line at: <http://170.104.63.9/inventory.php?pwsno=95443>

Water Right Permit #G-16125 limits water withdrawal to as low as 130-gpm for the month of August and peaks at 300-gpm. Please keep in mind that operations will need to comply with this restriction, even though the plant capacity is designed for 250-gpm.

Thank you for your patience in this process and if you have any questions, or would like this in an alternate format, please feel free to contact me at (971) 673-0419 or via e-mail at [evan.e.hofeld@state.or.us](mailto:evan.e.hofeld@state.or.us).

Sincerely,  
  
 Evan Hofeld  
 Regional Engineer  
 OHA - Drinking Water Program

cc: Jim Arnold, Camp Rilea  
 Joel Haag, Camp Rilea  
 Kenneth Klee, Camp Rilea  
 Daryl Low, Hoffman Construction  
 Ron Bush, Ron Bush Engineering & Surveying  
 Maureen Taylor, Clatsop County Health and Human Services